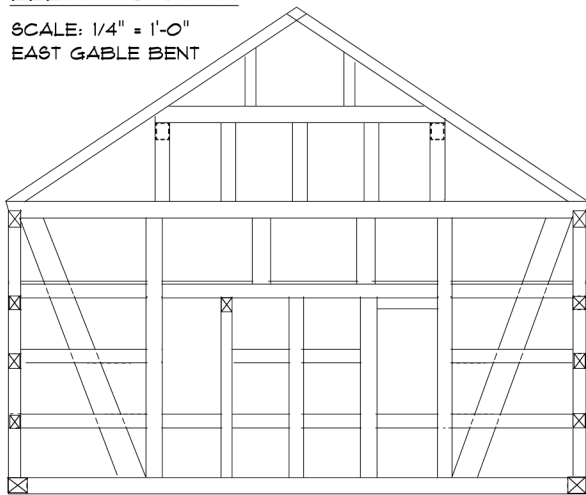


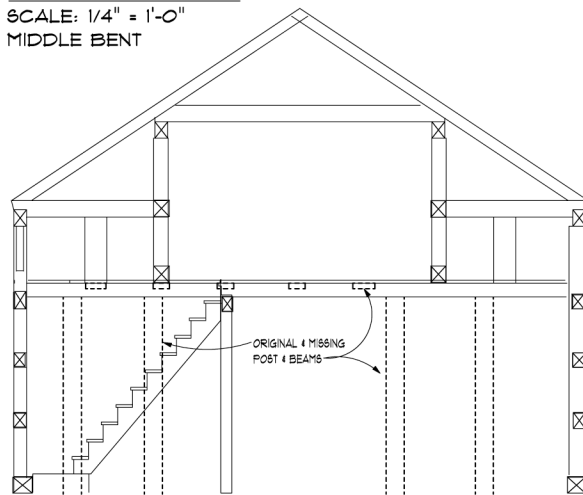
ELEVATION A-A

SCALE: 1/4" = 1'-0"
EAST GABLE BENT



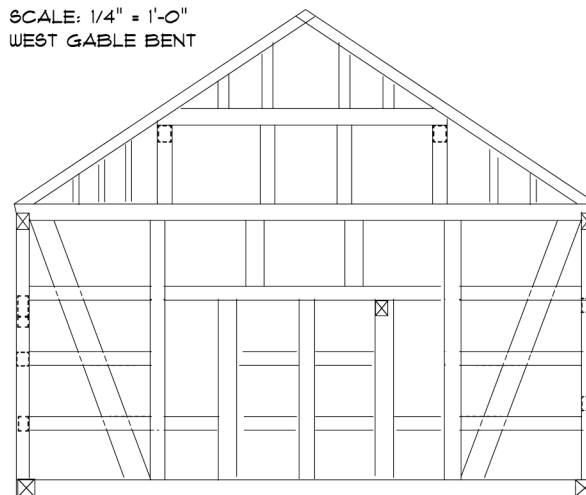
ELEVATION B-B

SCALE: 1/4" = 1'-0"
MIDDLE BENT



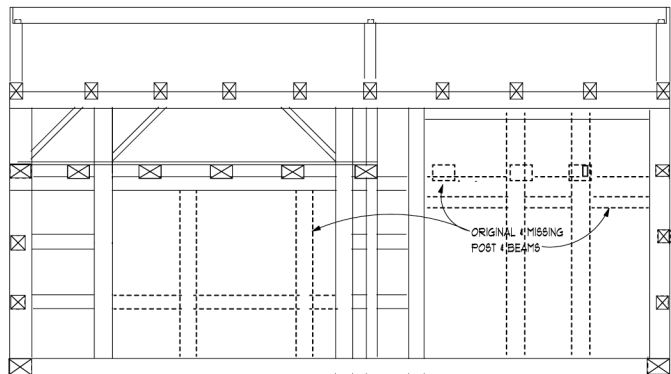
ELEVATION C-C

SCALE: 1/4" = 1'-0"
WEST GABLE BENT



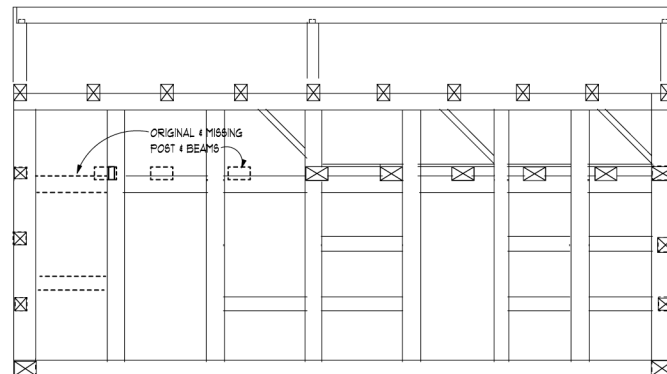
ELEVATION D-D

SCALE: 1/4" = 1'-0"
SOUTH WALL



ELEVATION E-E

SCALE: 1/4" = 1'-0"
NORTH WALL



McNAMARA CONSTRUCTION

SPECIALIZING IN TRADITIONAL TIMBER FRAMING

RR#1 BOX 1368, FRIENDSVILLE, PA 18818 Phone: 570-553-2432 Fax: 570-553-2432

HASELEY HOF
DISMANTLE & DOCUMENT

A-5

November 13, 2011