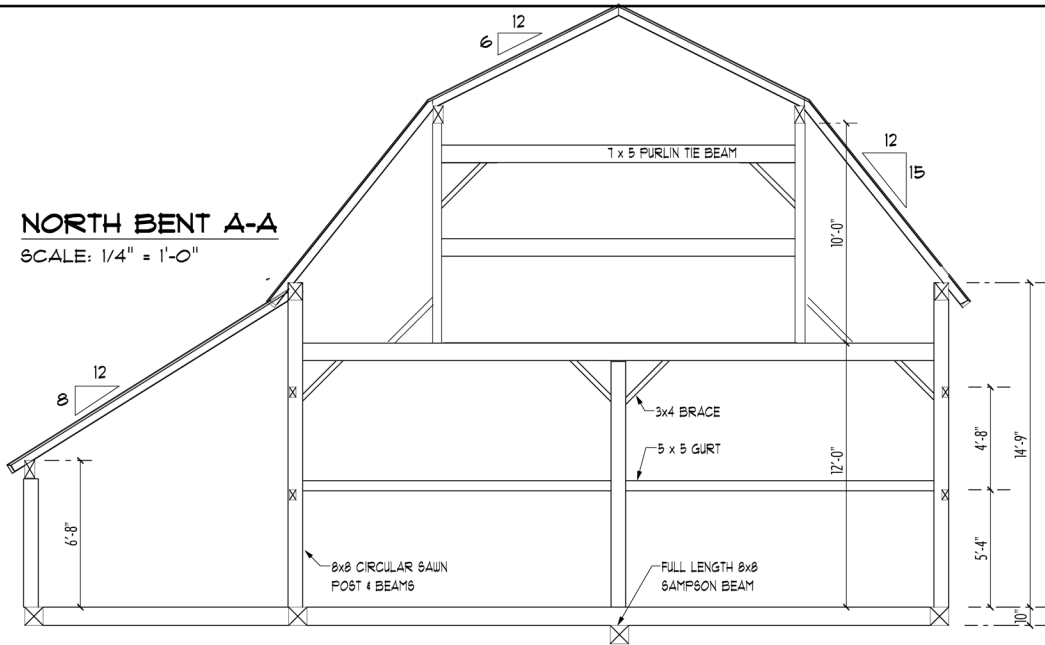


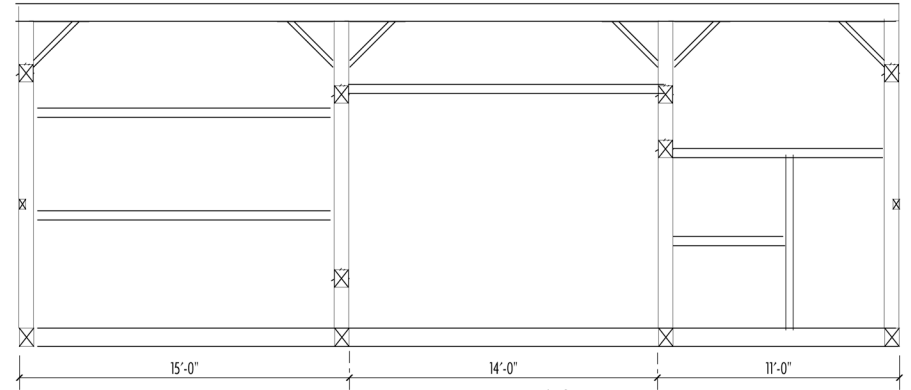
NORTH BENT A-A

SCALE: 1/4" = 1'-0"



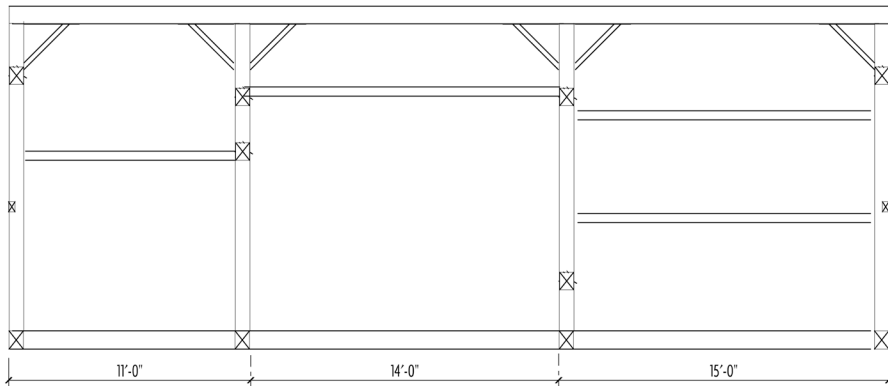
EYE WALL E-E

SCALE: 1/4" = 1'-0"



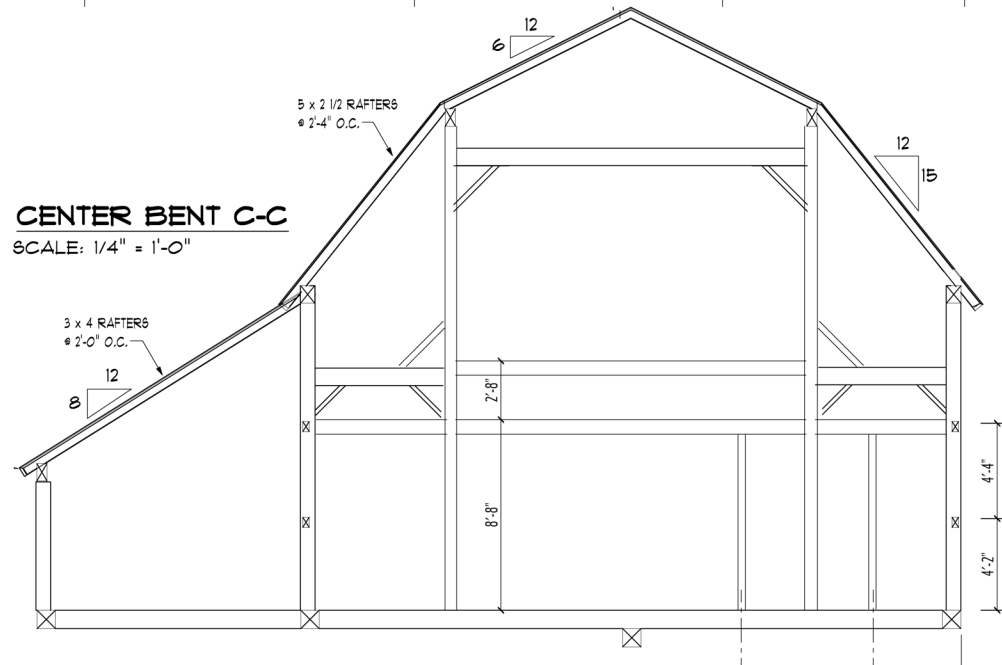
EYE WALL F-F

SCALE: 1/4" = 1'-0"



CENTER BENT C-C

SCALE: 1/4" = 1'-0"



McNAMARA CONSTRUCTION

TRADITIONAL TIMBER FRAMING & SUSTAINABLE CONSTRUCTION

RR#1 BOX 1368, FRIENDSVILLE, PA 18818 Phone: 570-553-2432 Fax: 570-553-2432

**OWEGO NEW MILFORD TRPK FRAME
FOREST LAKE, PA**

AS-2

June 02, 2011